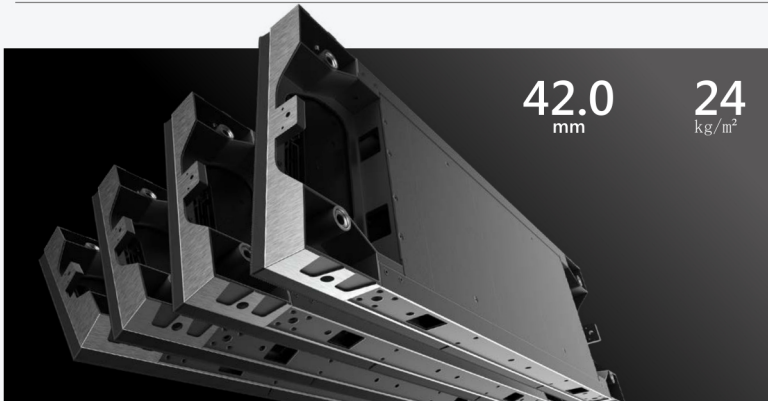




S250 / SERIES

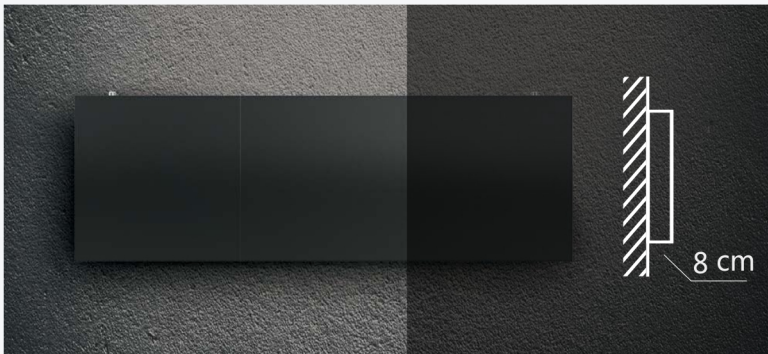
Indoor Full Front Access

LED Display



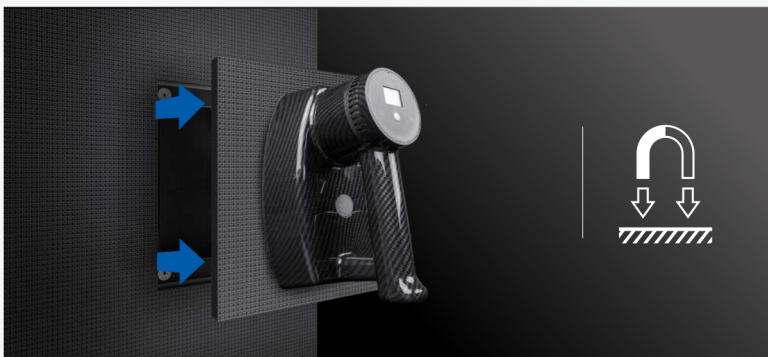
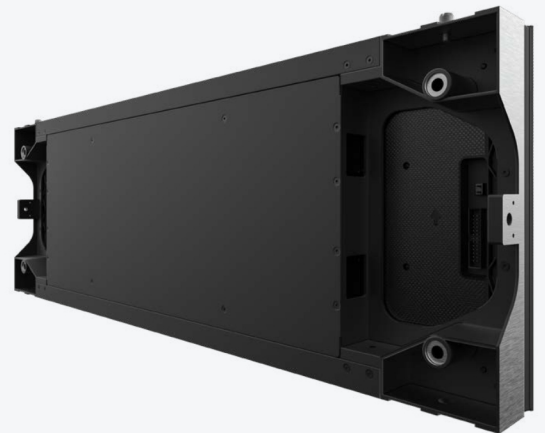
● Ultra light cabinet

Aluminium material, CNC processed aluminium profile and a depth of just 42mm are key factors in the achieving the 24kg/sqm lightweight qualities.



● Slim cabinet

Designed for wall-mounted LED displays with no rear space required beyond the 8cm depth of the specially designed sub-support structure supplied.S250 is a great choice for many direct to wall installation environments



● Front access, effortless service

All cabinet components accessible from the front with the magnetic tool supplied to ensure efficient maintenance



S250/SERIES

Full Front Access Indoor LED Display

The S250 panel is ideal for high-resolution indoor broadcasting application and there is no need to allow for a rear void when installing wall-mounted S250 LED displays. The cabinets are extremely slim and lightweight and ideal for retail, hotel, licensed trade, restaurant, conference room, corporate reception projects, plus more.

Features



Ultra light cabinet



Slim cabinet



Front access



Flexible in shape



Whisper-quiet operation

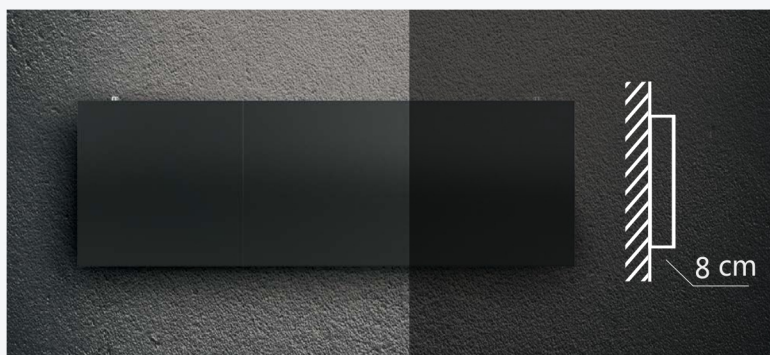


High gray scale



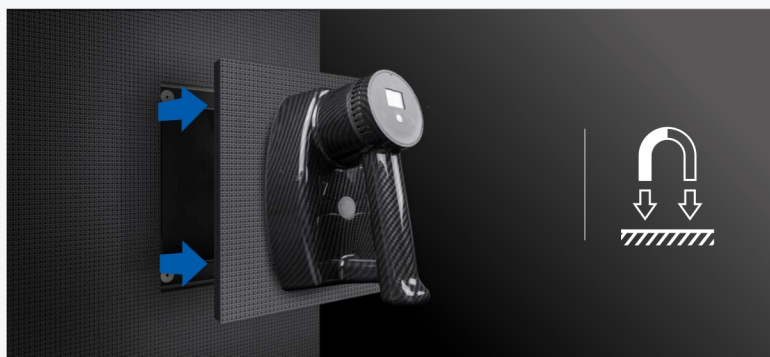
● Ultra light cabinet

Aluminium material, CNC processed aluminium profile and a depth of just 50mm are key factors in the achieving the 24kg/sqm lightweight qualities.



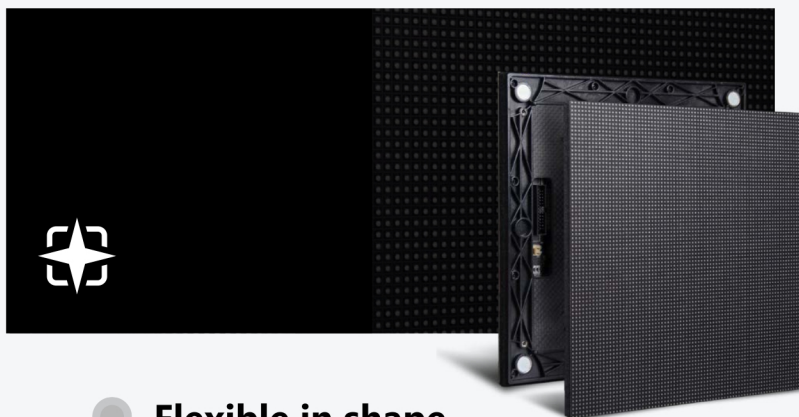
● Slim cabinet

Designed for wall-mounted LED displays with no rear space required beyond the 8cm depth of the specially designed sub-support structure supplied. S250 is a great choice for many direct to wall installation environments



● Front access, effortless service

All cabinet components accessible from the front with the magnetic tool supplied to ensure efficient maintenance



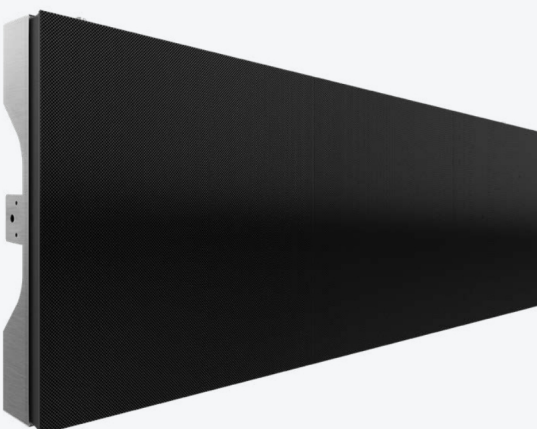
Flexible in shape

Three size options, flexible installation S250 available in three different cabinet dimension to assist in achieving the most suitable seamless LED display for the environment.



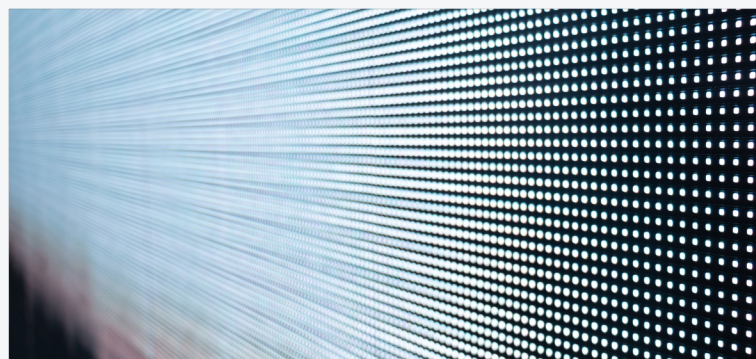
Whisper-quiet operation

Fanless design, energy efficient IC and low heat conduction delivers a super-silent LED display.



Indoor Full Front Access

S250



High gray scale, true to life image quality

With a gray scale up to 14 bit, S250 series delivers true-to life image reproduction with every pixel performing perfectly and as intended.

S250
SERIRS

LED Screen Manufacturer in China



www.bibiled.com



SHENZHEN BIBI LED CO LTD

Mob: +86 153 9990 6913

Web: www.bibiled.com

E-mail: info@bibiled.com

Address:

The Building C, Tangtou Industrial Park,
Shiyan Town, Baoan District, Shenzhen.

